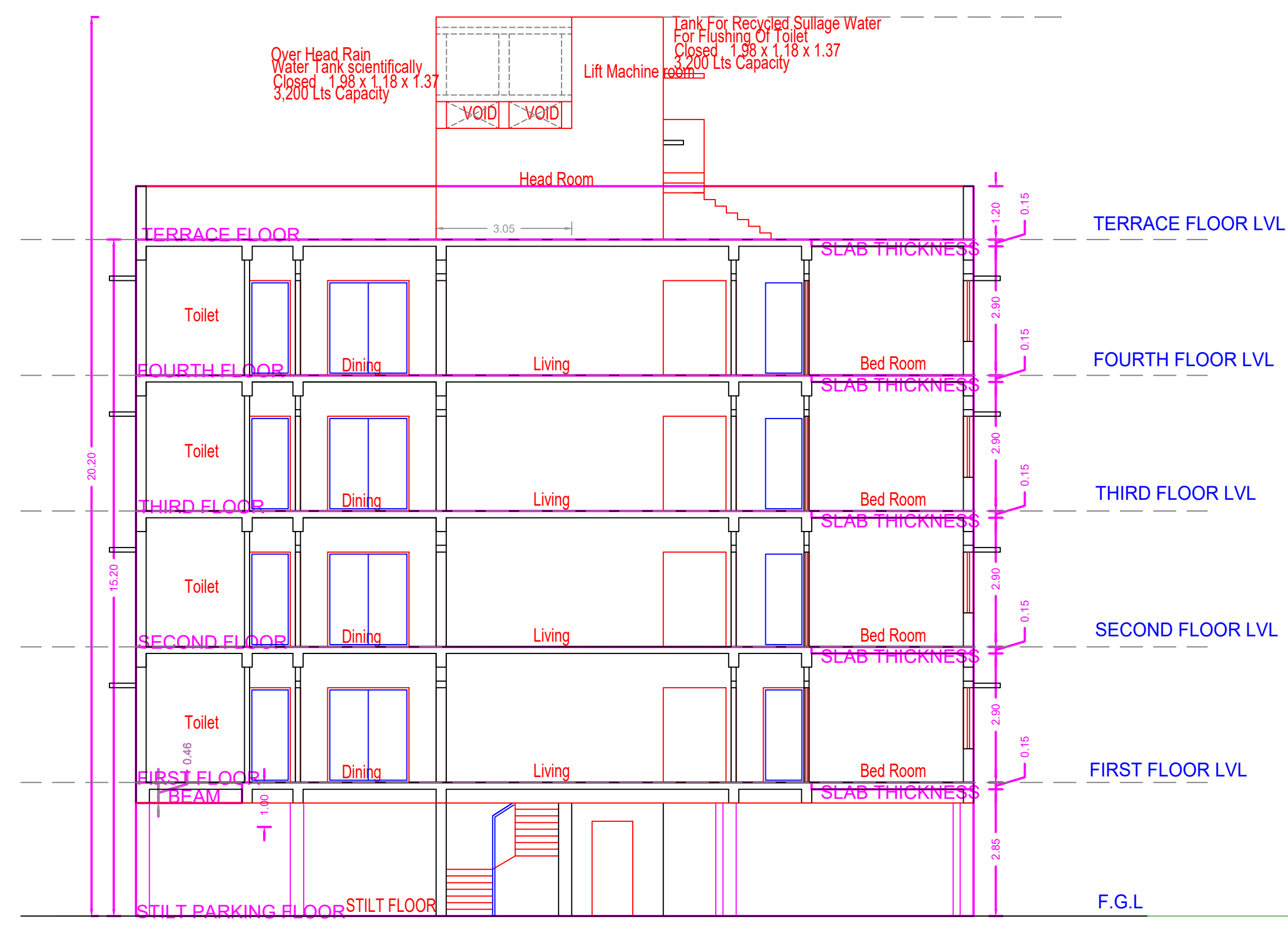
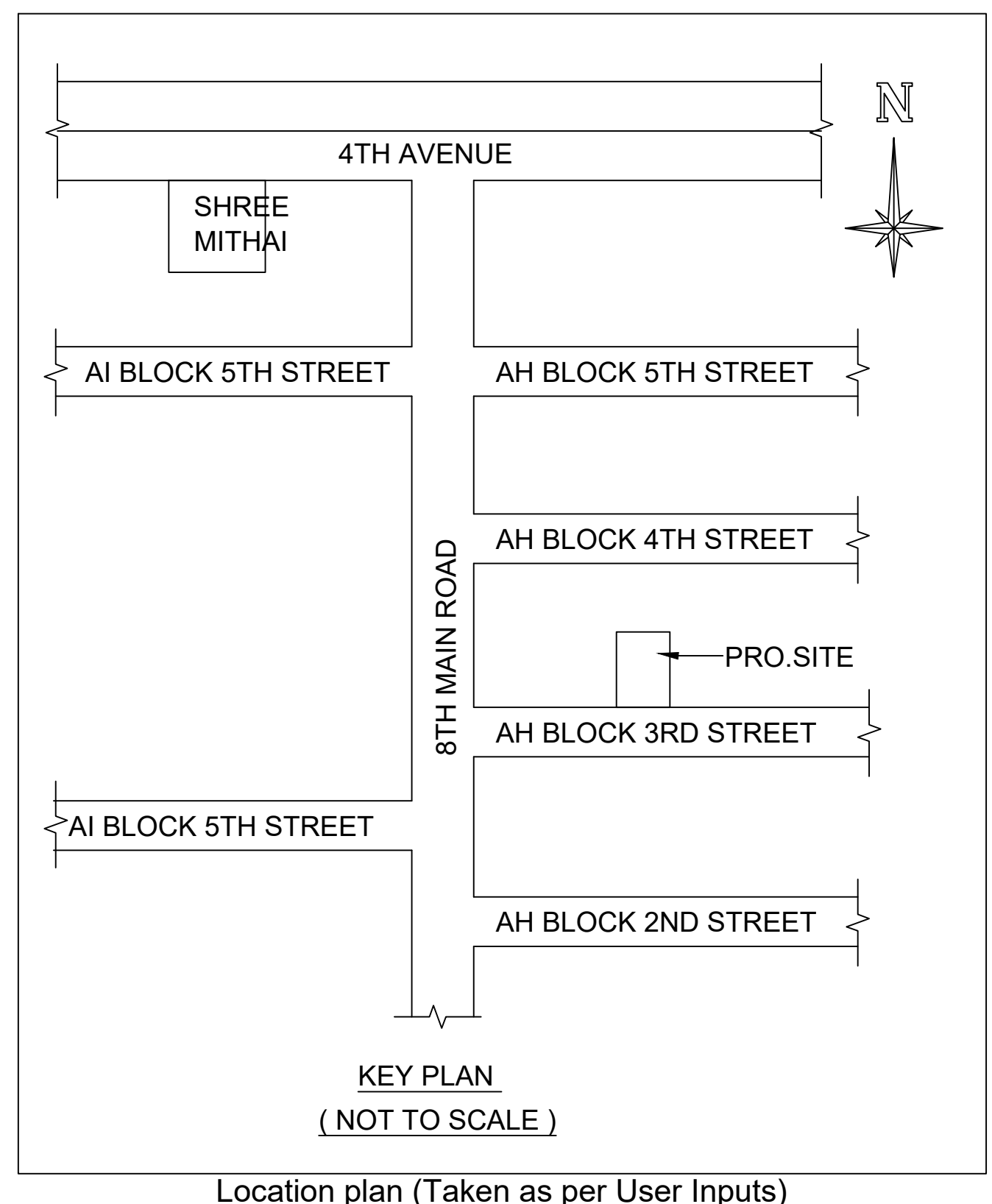


SOUTH SIDE ELEVATION



SECTION "AA"

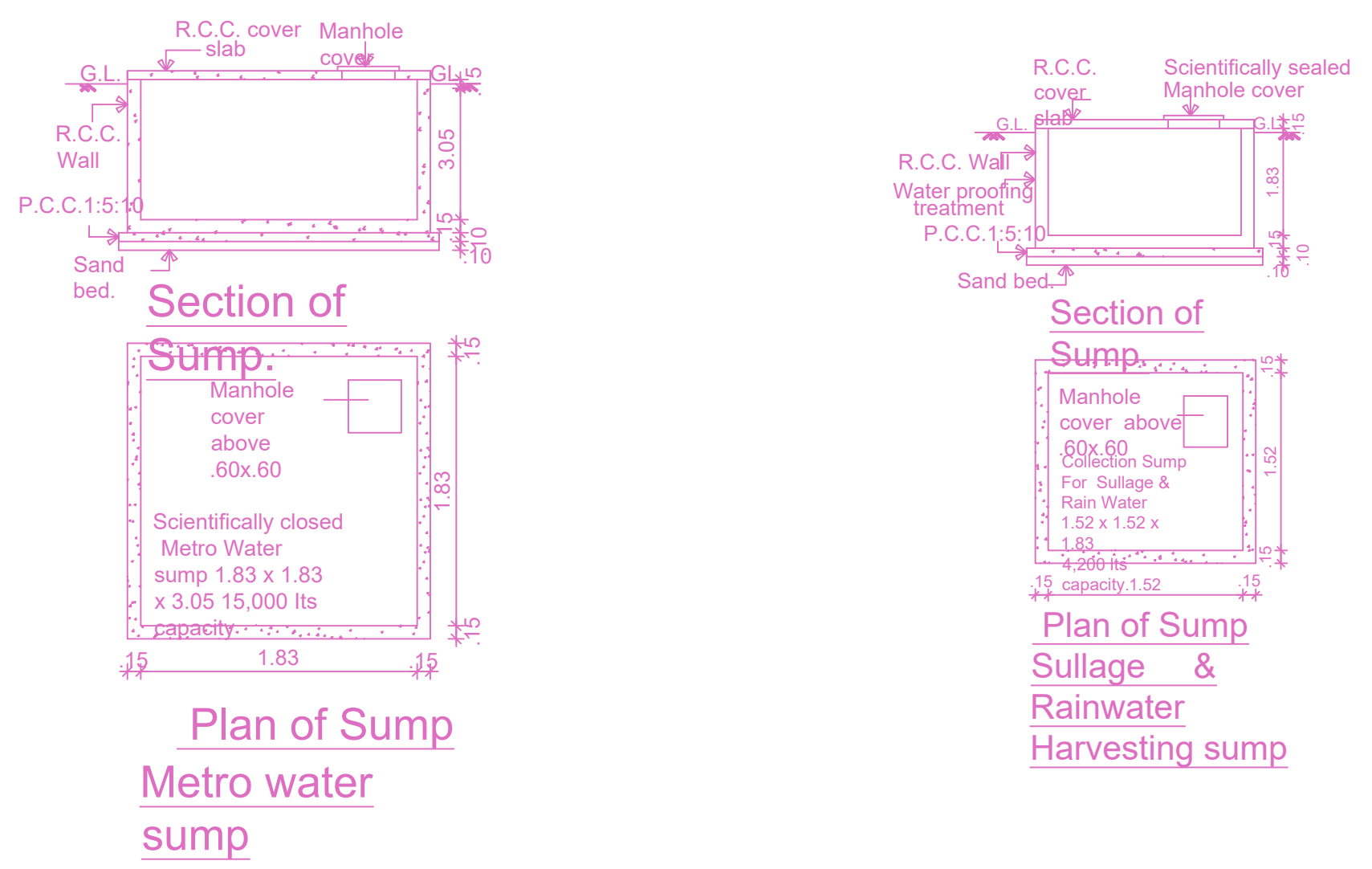
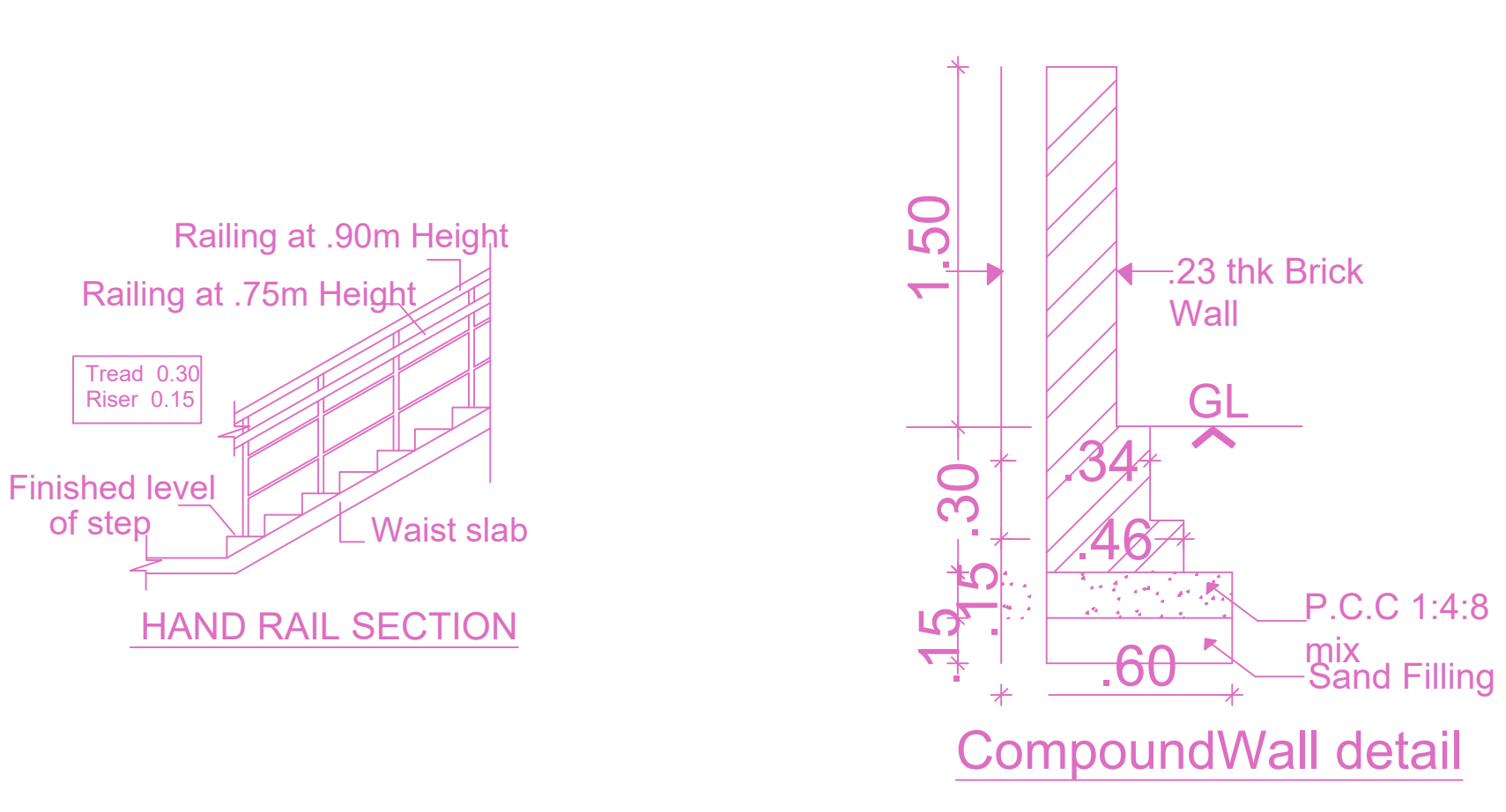
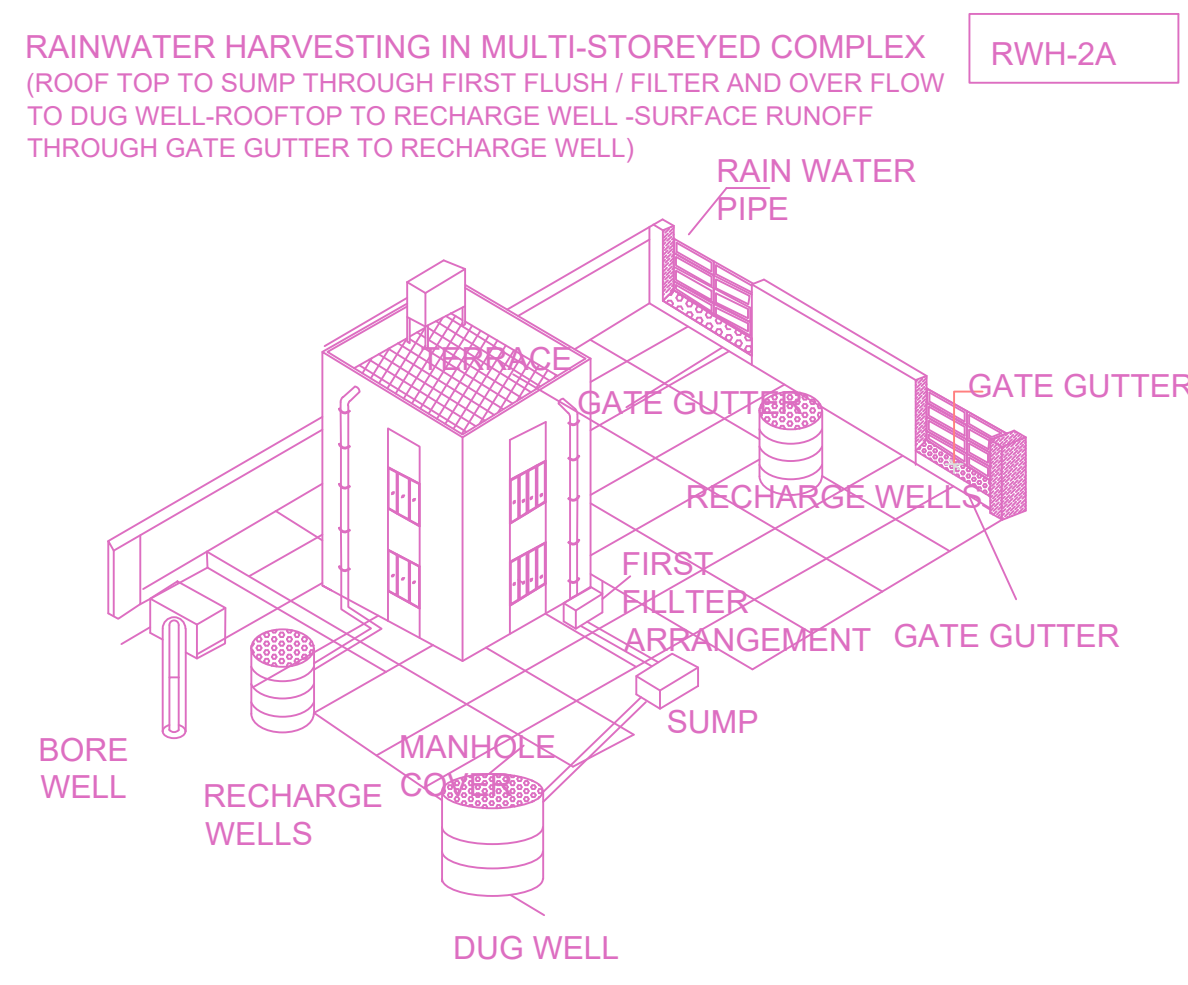


Location plan (Taken as per User Inputs)

PLAN SHOWING THE PROPOSED CONSTRUCTION OF STILT FLOOR PARKING + 4 FLOORS RESIDENTIAL BUILDING WITH 4 DWELLING UNITS (15.20m HEIGHT). AT DOOR NO. 36 (AH - 142), PLOT NO. 3101A, 3RD STREET, "A H" - BLOCK, ANNA NAGAR, CHENNAI - 600 040, COMPRISED IN OLD S.NO: 41 / 1PART, 41 / 2 PART, T.S.NO. 303, BLOCK NO. 1D, WARD -01, OF NADUVANKARAI VILLAGE. WITHIN THE LIMITS OF GREATER CHENNAI CORPORATION. DIVISION : 103. ZONE:08

A) AREA STATEMENT		SQ.M.
AREA AS PER PATTA		349.31
AREA AS PER DOCUMENT		349.00
AREA CONSIDERED FOR FSI		349.00
STREET ALIGNMENT/ ROAD WIDENING/LINK ROAD		0.00
OSR AREA		0.00
TOTAL FSI AREA		688.40
FSI FACTOR		1.972
COVERAGE AREA (PERCENTAGE %)		NA

A) PARKING STATEMENT		
VEHICLE	REQUIRED	PROVIDED
LORRY	0	0
CAR	8	8
TWO WHEELER	0	0
CYCLE	0	0

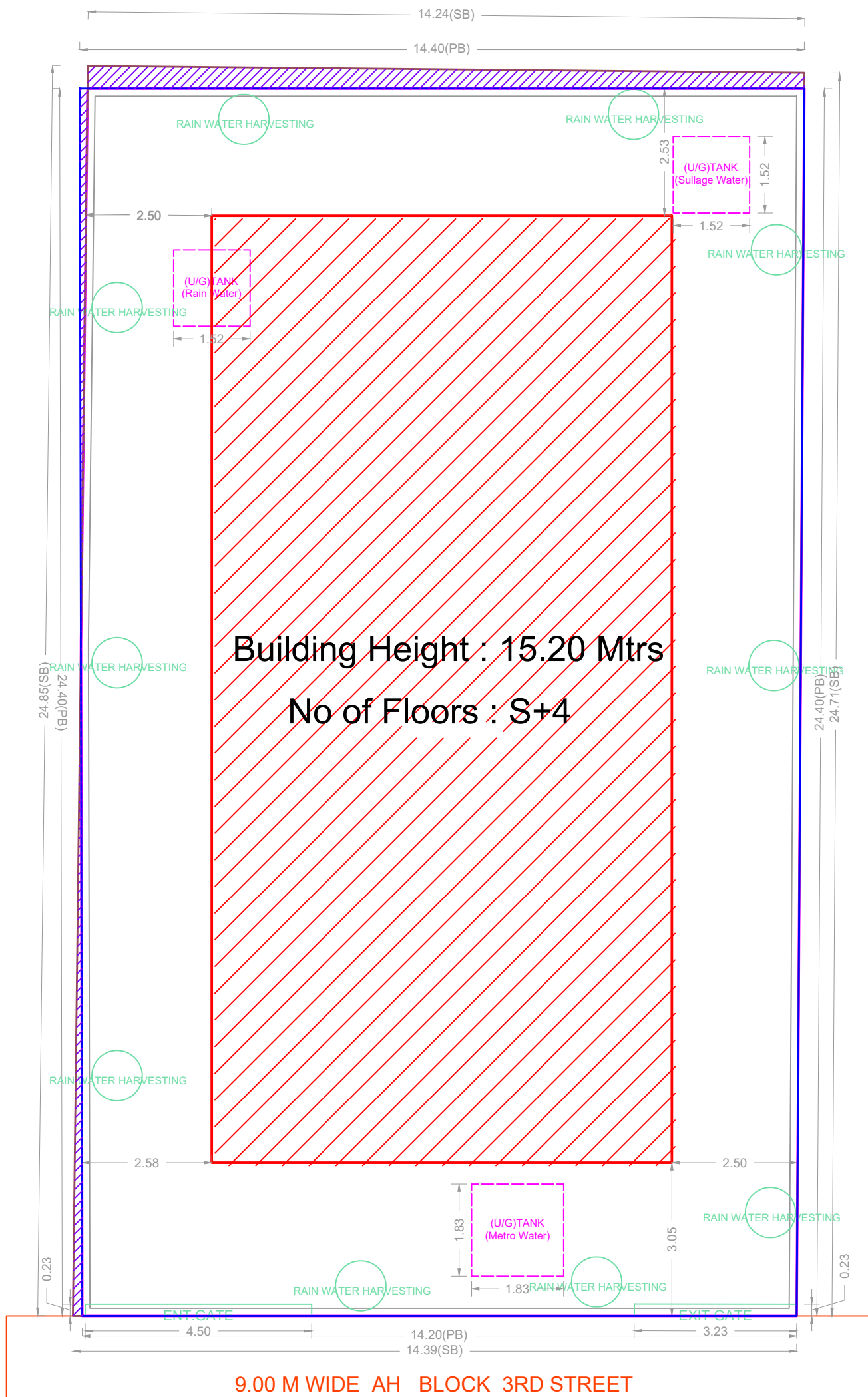


BUILDING WISE FSI STATEMENT

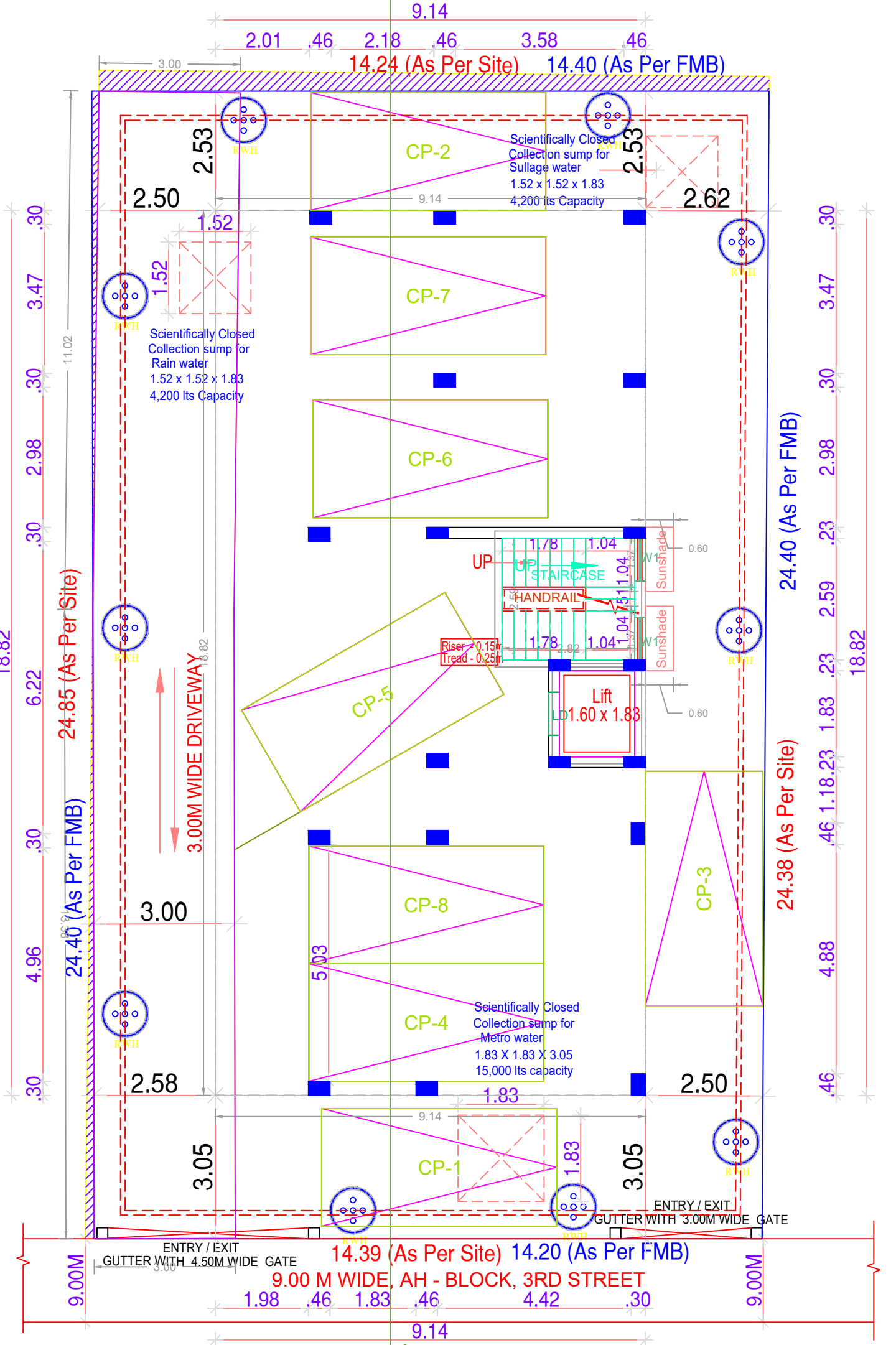
BUILDING	NO OF SAME BUILDING	FSI AREA				DU	TOTAL FSI AREA
		COMM.	RESI.	IND.	INST.		
BLOCK-1 (A)		0.00	688.40	0.00	0.00	4	688.40
Total		0.00	688.40	0.00	0.00	4	688.40

FLOOR WISE FSI STATEMENT: BLOCK (A)

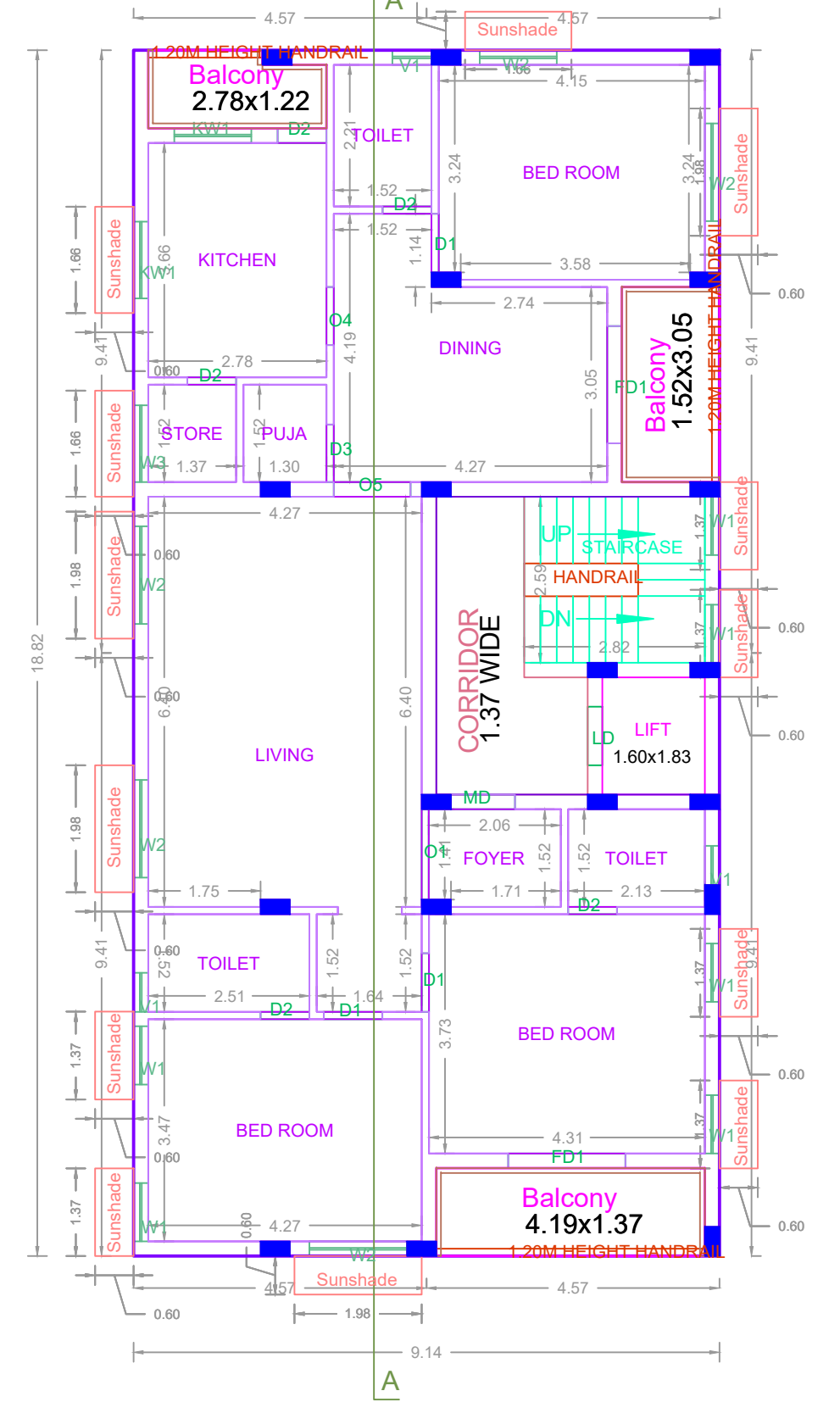
FLOORS	FSI AREA				DU	TOTAL FSI AREA
	COMM.	RESI.	IND.	INST.		
STILT PARKING FLOOR	0.00	0.00	0.00	0.00	0	0.00
FIRST FLOOR	0.00	172.10	0.00	0.00	1	172.10
SECOND FLOOR	0.00	172.10	0.00	0.00	1	172.10
THIRD FLOOR	0.00	172.10	0.00	0.00	1	172.10
FOURTH FLOOR	0.00	172.10	0.00	0.00	1	172.10
Terrace	0.00	0.00	0.00	0.00	0	0.00
Total	0.00	688.40	0.00	0.00	4	688.40



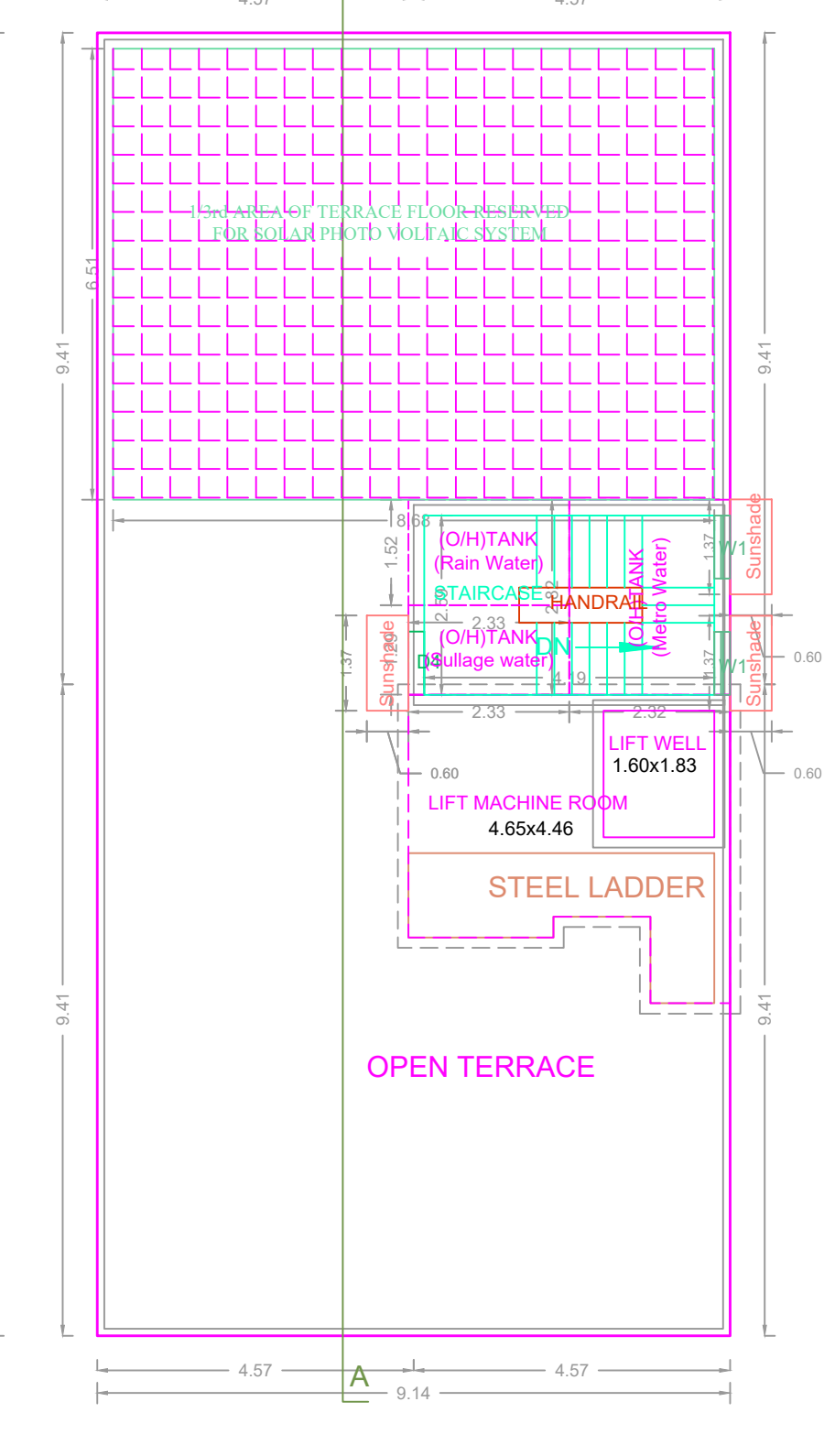
SITE PLAN



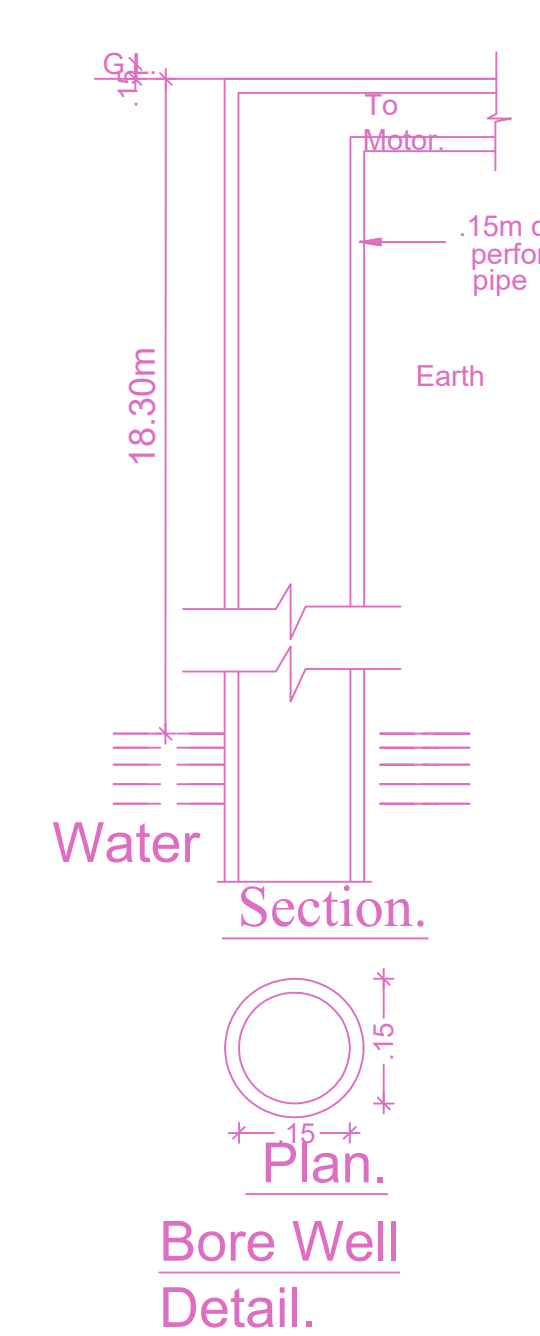
STILT PARKING FLOOR PLAN



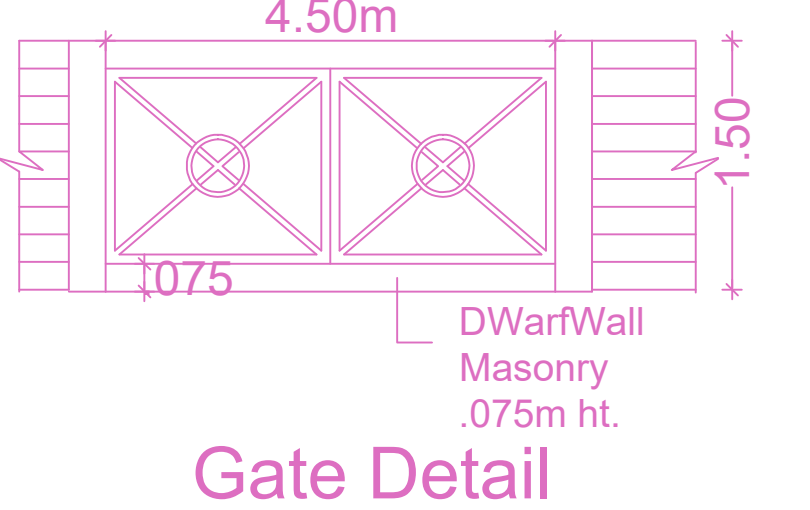
TYPICAL - 1, 2, 3 & 4 FLOOR PLAN



TERRACE FLOOR PLAN



Bore Well Detail.



Gate Detail

APPROVAL CONDITION

SCALE 1:100

CHENNAI METROPOLITAN DEVELOPMENT AUTHORITY
APPROVED
SUBJECT TO THE CONDITIONS MENTIONED IN THIS OFFICE

For (Deputy Planner / Chief Planner / Member-Secretary)
High Rise Building / Non High Rise Building
This Approval is valid only after building Permit is issued by the concerned Local Body.

QR CODE