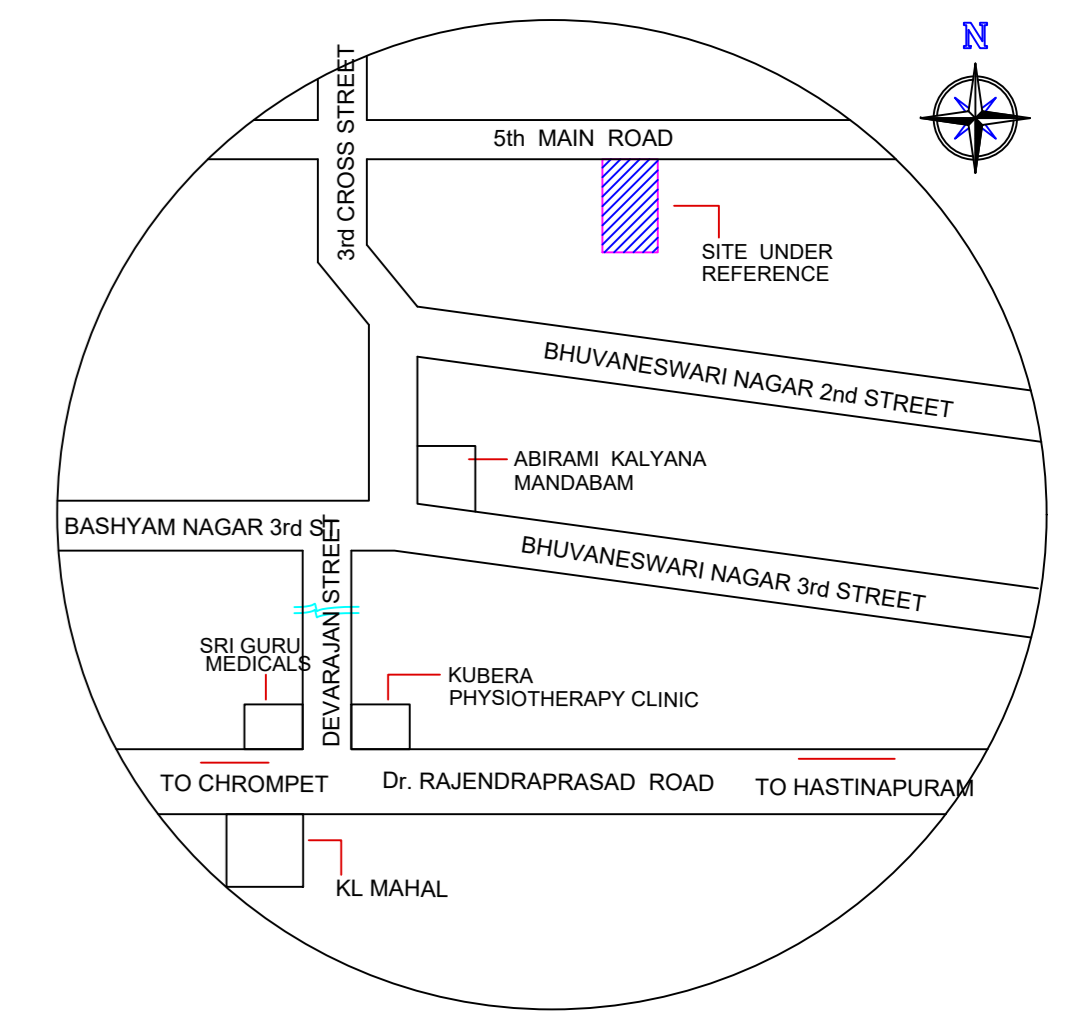


PLAN SHOWING PROPOSED CONSTRUCTION OF STILT + 4 FLOORS ( 15.00M HEIGHT ) RESIDENTIAL BUILDING WITH 8 DWELLING UNITS AT PLOT No. 154, DOOR No.28, 5TH MAIN ROAD, PURUSHOTHAMAN NAGAR, CH - 600044, IN S.No. 29 / 1A1A1A1 / 5, T.S.No. 6, BLOCK No. 48, OF HASTHINAPURAM VILLAGE, WITHIN THE LIMITS OF TAMBARAM MUNICIPAL CORPORATION

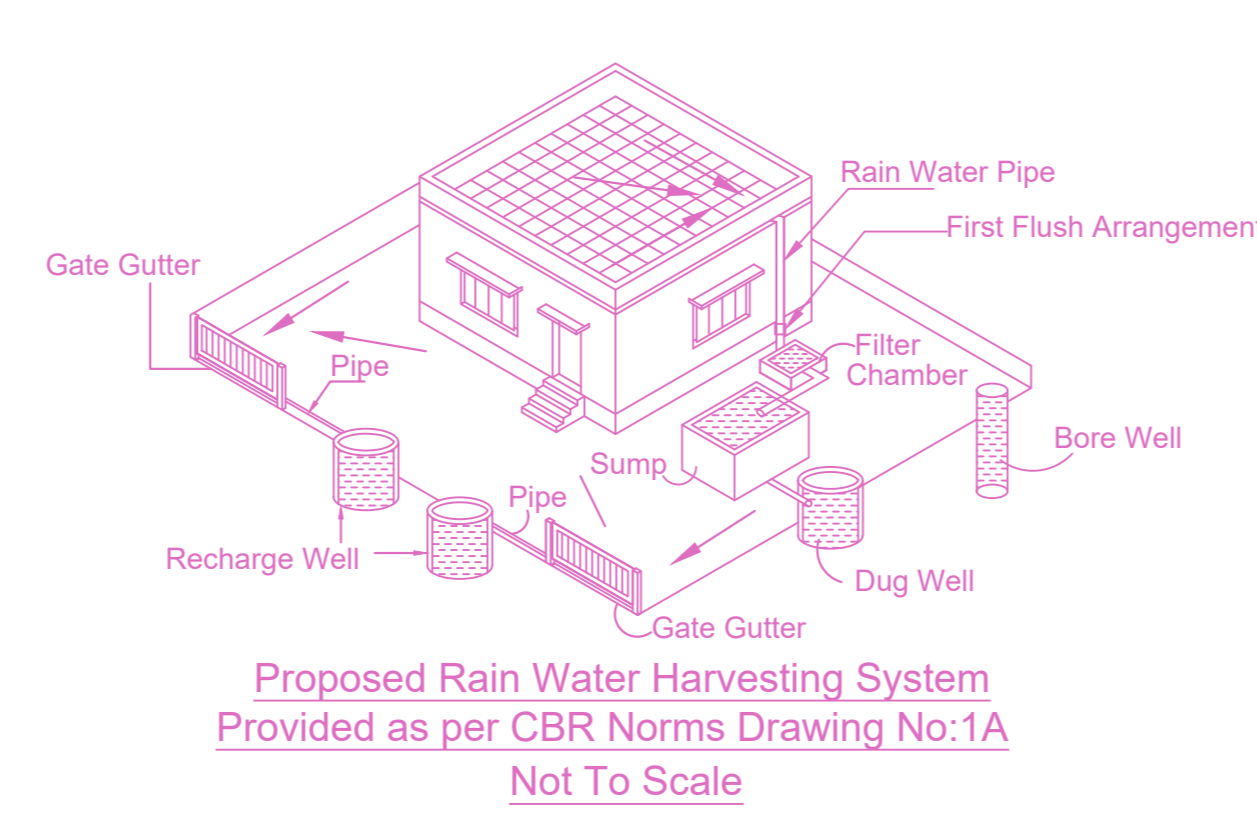
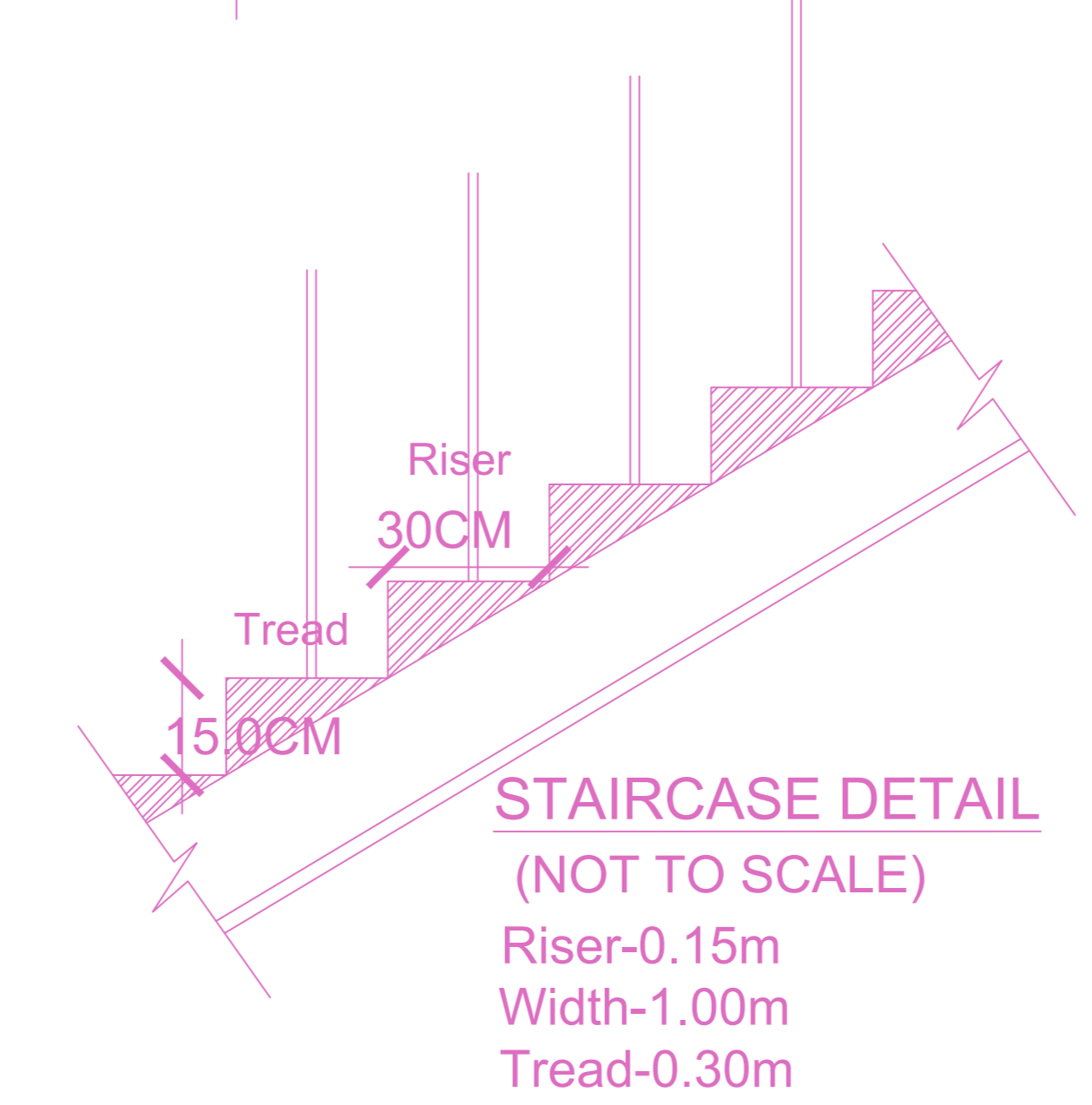
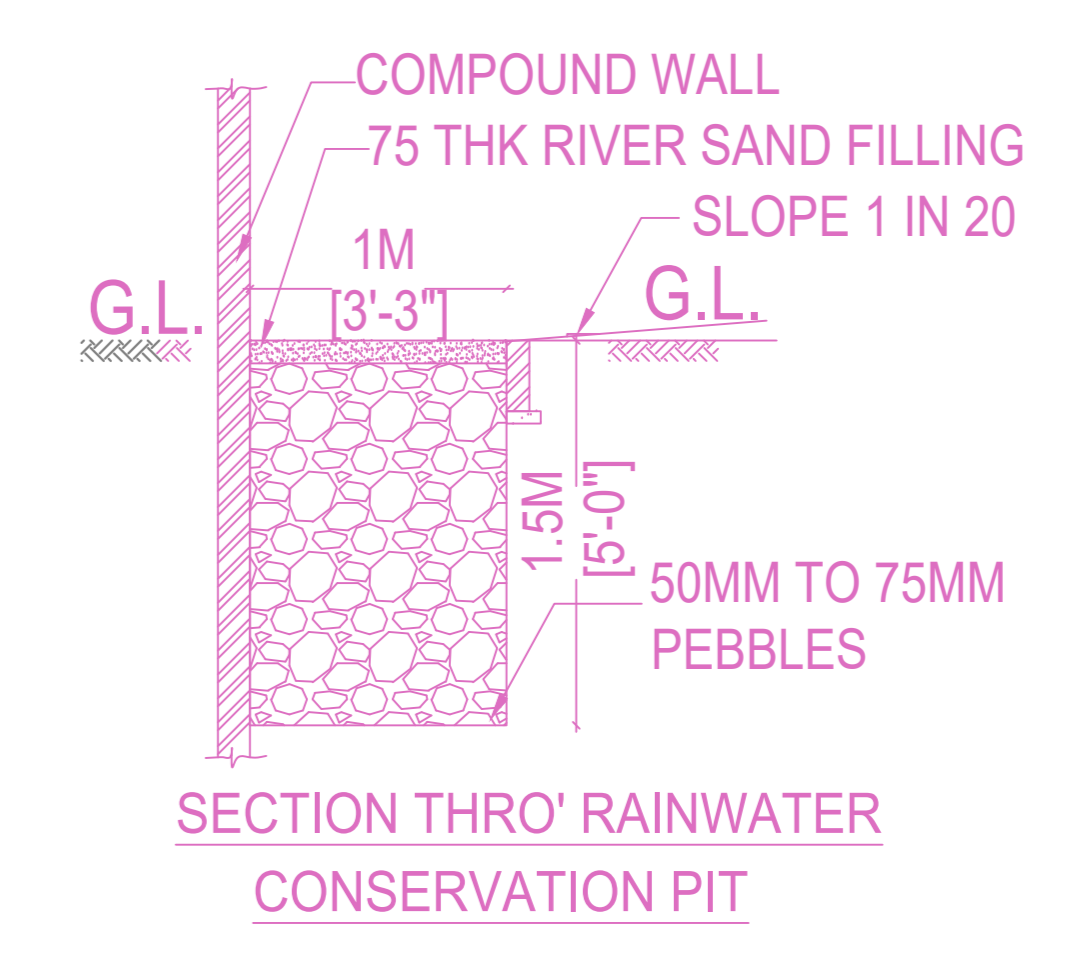
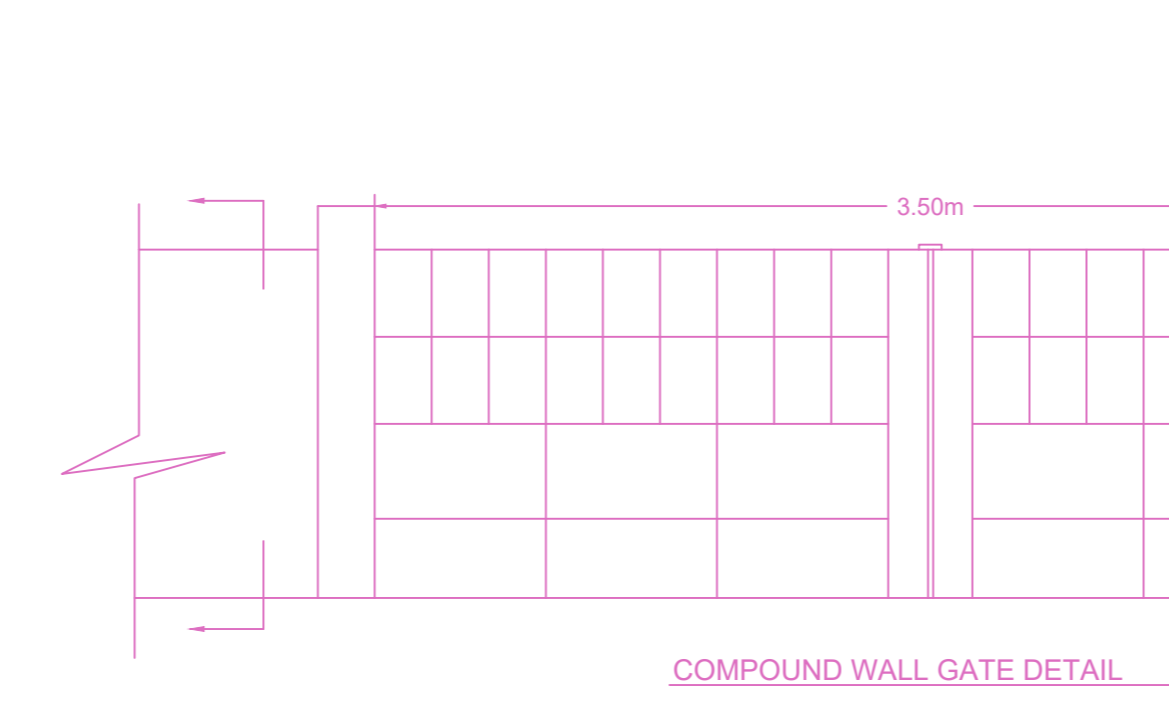
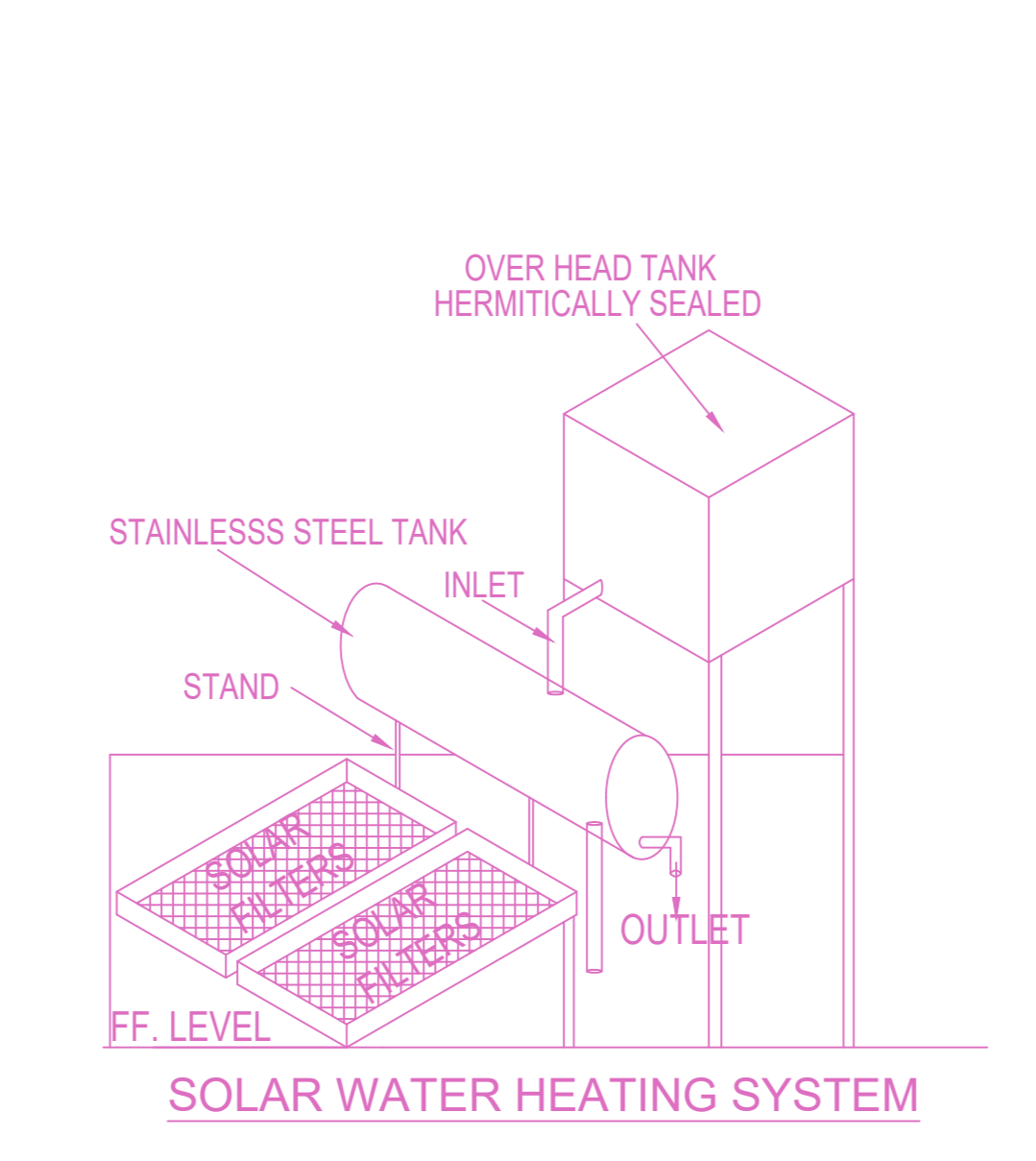
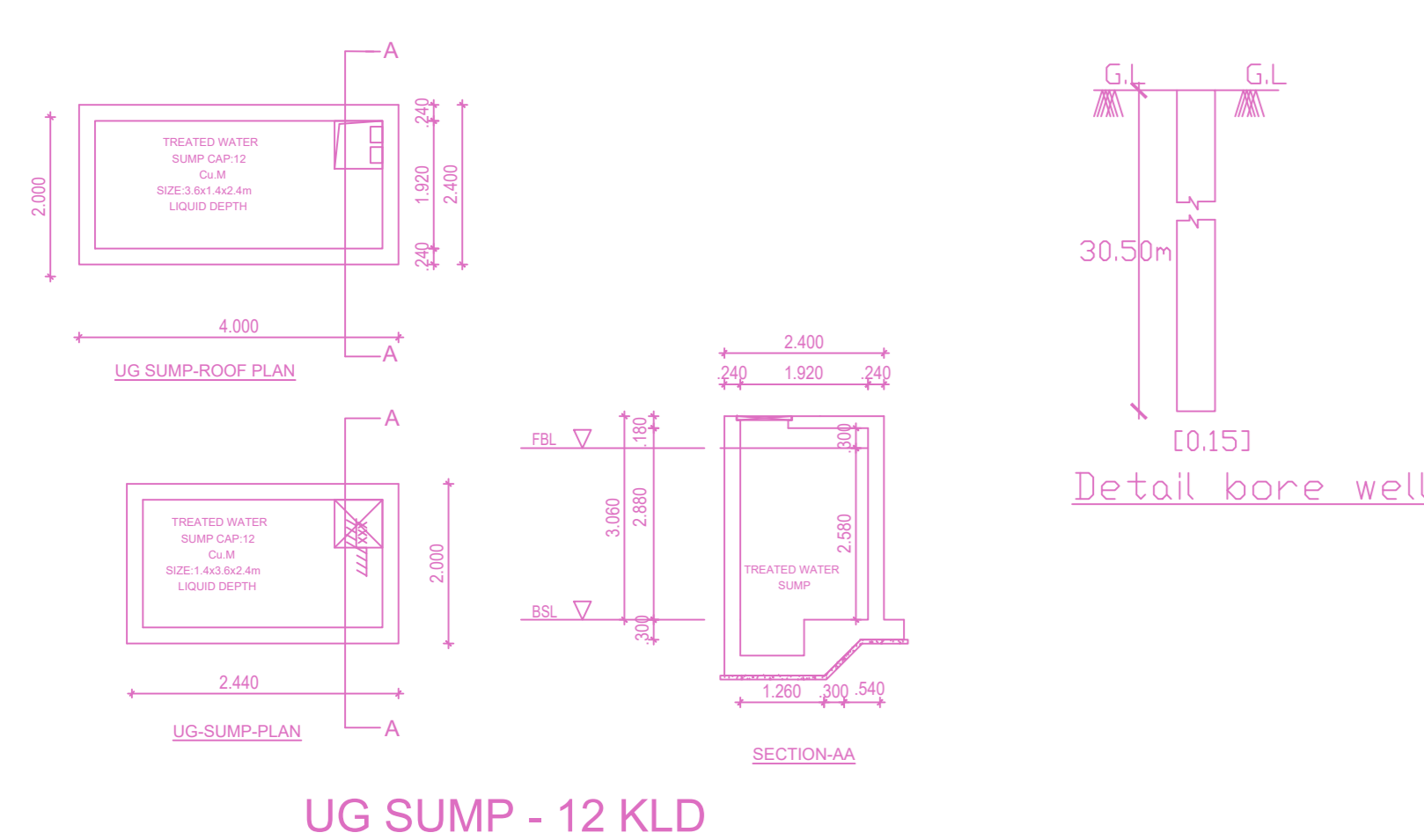
A) AREA STATEMENT	SQ.M
AREA AS PER PATTA	463.00
AREA AS PER DOCUMENT	501.67
AREA CONSIDERED FOR FSI	463.00
STREET ALIGNMENT/ ROAD WIDENING LINK ROAD	0.00
OSR AREA	0.00
TOTAL FSI AREA	899.16
FSI FACTOR	1.942
COVERAGE AREA (PERCENTAGE %)	NA

A) PARKING STATEMENT		
VEHICLE	REQUIRED	PROVIDED
LORRY	-	0
CAR	9	9
TWO WHEELER	0	15
CYCLE	-	0

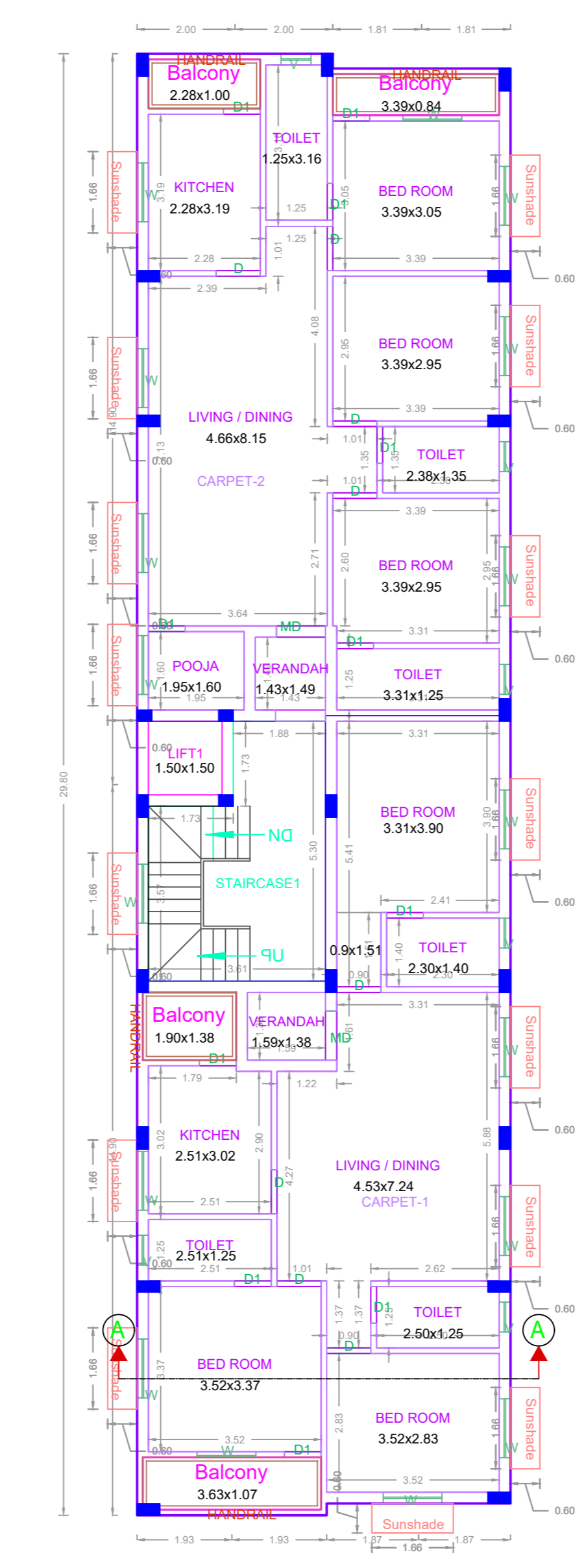
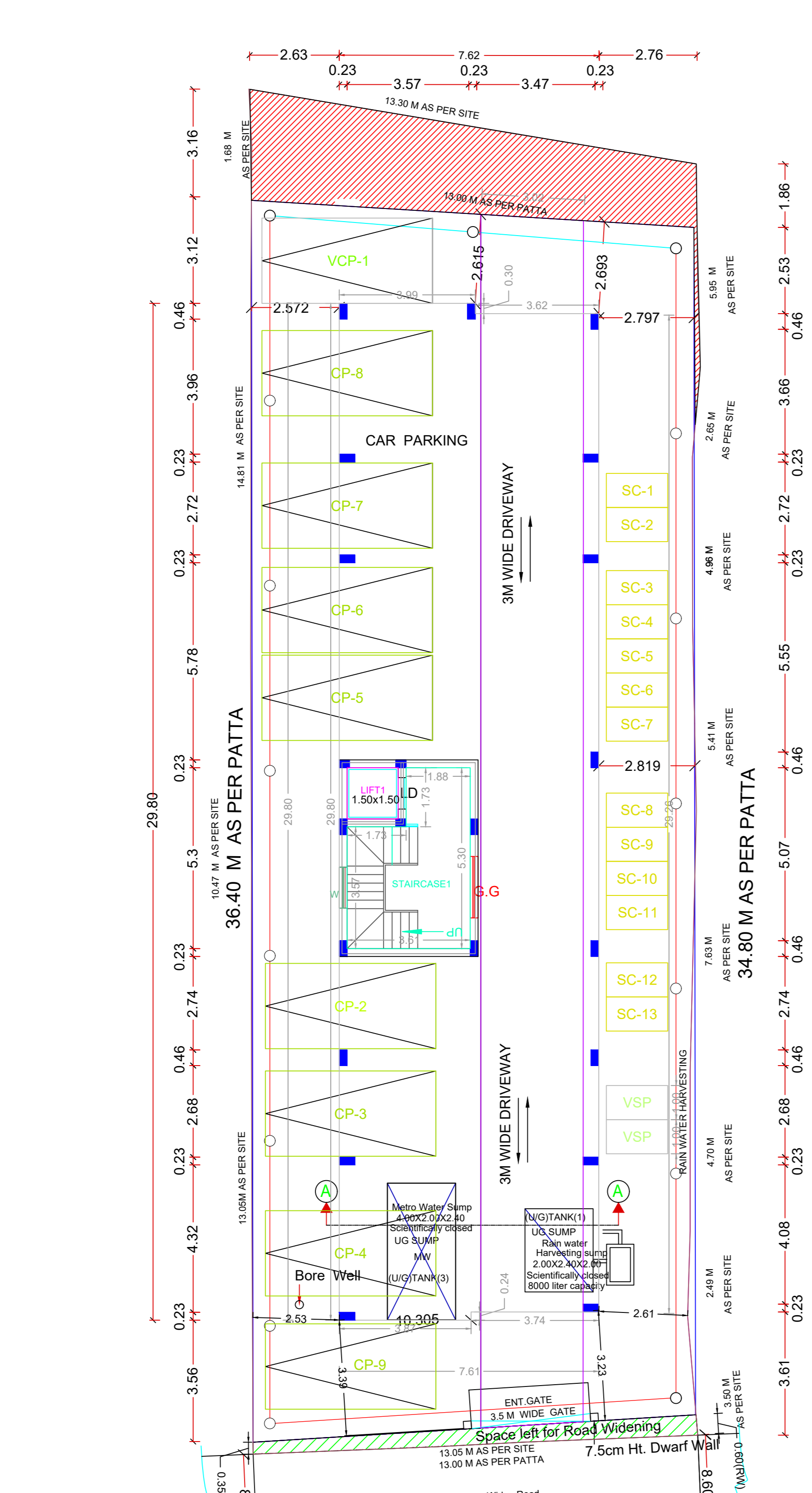
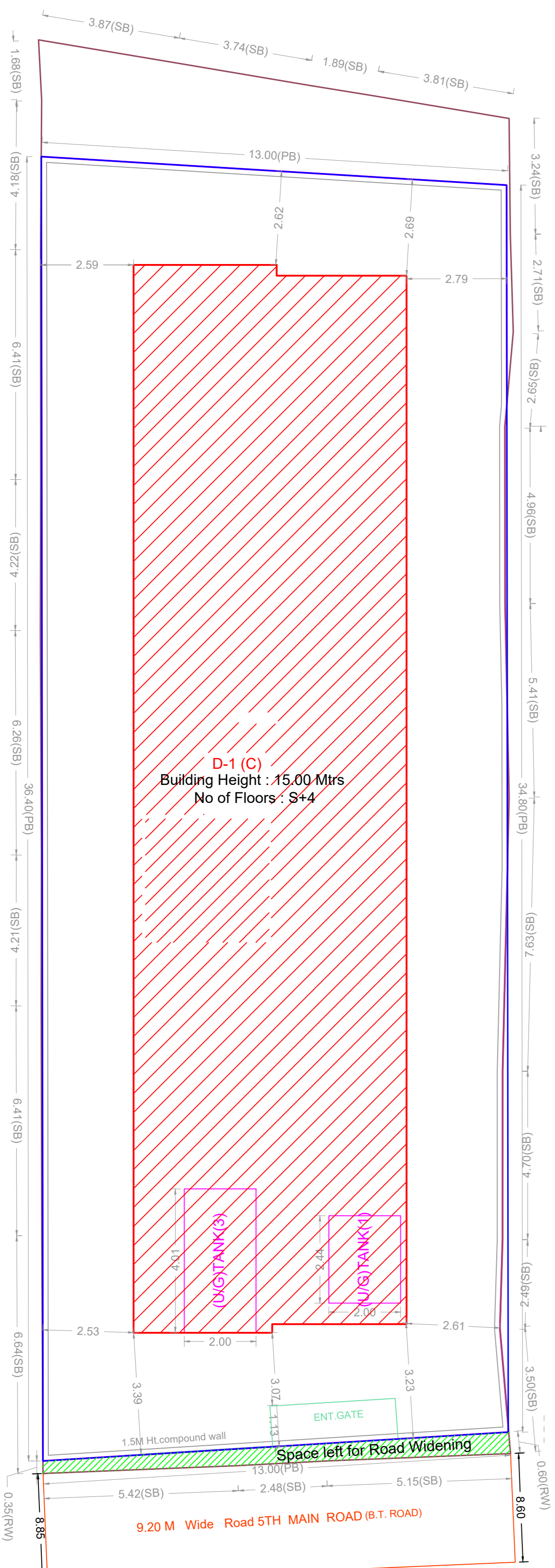
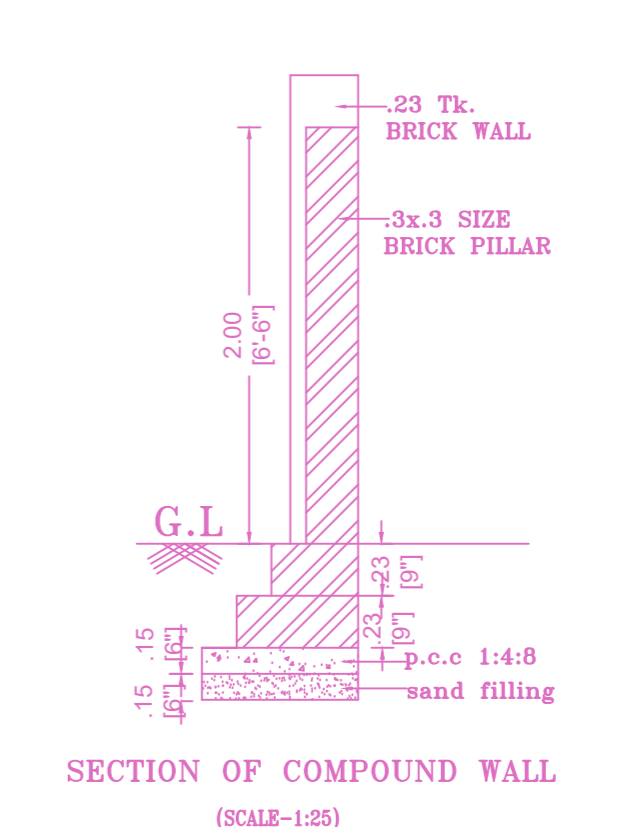
NOTE: LAYOUT APPROVED VIDE L.P.D.NO.44/1958



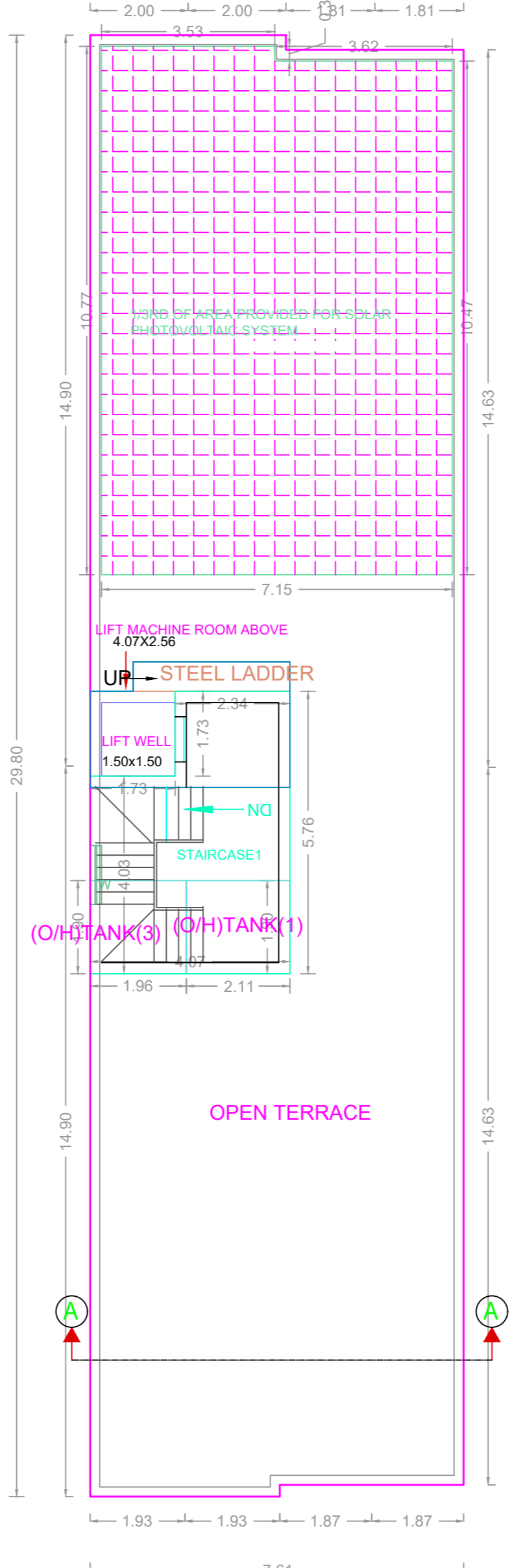
KEY PLAN  
Location plan (Taken as per User Inputs)



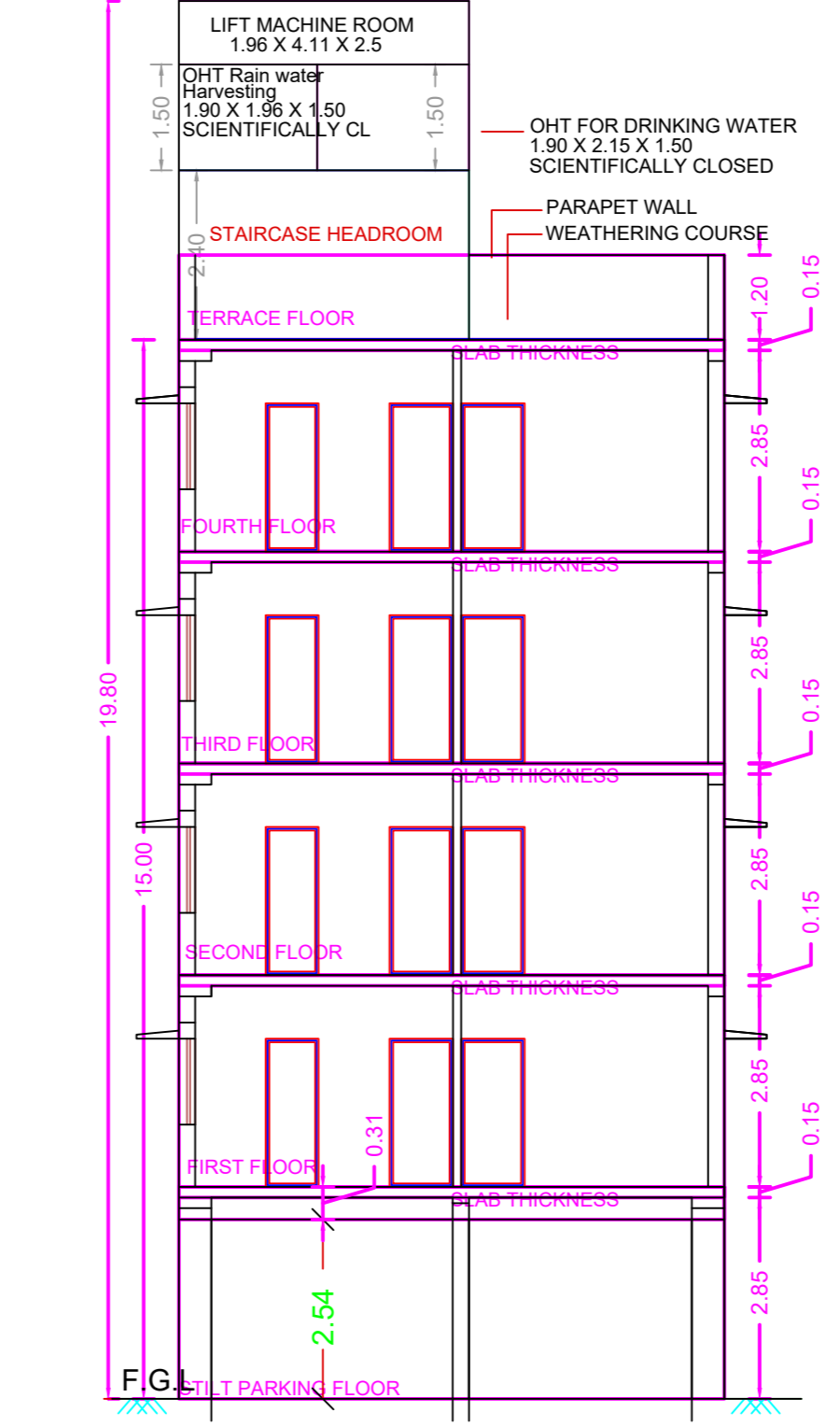
Proposed Rain Water Harvesting System  
Provided as per CBR Norms Drawing No:1A  
Not To Scale



TYPICAL - 1, 2, 3 & 4 FLOOR PLAN



TERRACE FLOOR PLAN



SECTION ON A - A



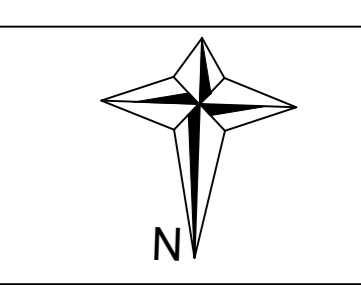
ELEVATION

FLOOR WISE FSI STATEMENT: D (C)						
FLOORS	FSI AREA			DU	TOTAL FSI AREA	
	COMM.	RESI.	IND. INST.			
STILT PARKING FLOOR	0.00	0.00	0.00	0	0	0.00
FIRST FLOOR	0.00	224.79	0.00	0.00	2	224.79
SECOND FLOOR	0.00	224.79	0.00	0.00	2	224.79
THIRD FLOOR	0.00	224.79	0.00	0.00	2	224.79
FOURTH FLOOR	0.00	224.79	0.00	0.00	2	224.79
Terrace	0.00	0.00	0.00	0.00	0	0.00
Total	0.00	899.16	0.00	0.00	8	899.16

BUILDING WISE FSI STATEMENT							
BUILDING	NO OF SAME BUILDINGS	FSI AREA			DU	TOTAL FSI AREA	
		COMM.	RESI.	IND. INST.			
D-1 (C)	1	0.00	899.16	0.00	0.00	8	899.16
Total		0.00	899.16	0.00	0.00	8	899.16

APPROVAL CONDITION

SCALE 1:100



CHENNAI METROPOLITAN DEVELOPMENT AUTHORITY

APPROVED

SUBJECT TO THE CONDITIONS MENTIONED IN THIS OFFICE

For (Deputy Planner / Chief Planner / Member-Secretary)  
High Rise Building / Non High Rise Building  
This Approval is valid only after building Permit is issued by the concerned Local Body.

